

WOOD CHIPS



Northwest Indiana Woodworkers Association

Volume 28, Issue 4 April 2023

President's Corner

Greetings Fellow Woodworkers, Spring is in the air but the temperatures keep fluctuating. I hope no one gets sick from these changes. My wife and I have been down to Marc Adams this past month to expand our skills. She has become quite the painter, I hope she will show her latest work at the next meeting. We drove around Whiteland and got to see the tornado damage first hand. The twister touched down so close to our rental for MASW.

It has been brought to my attention that some information needs to be updated in our roster. If you have recently changed your address, phone number, or E-mail please see John Hunter and check your information. This helps us to make contact with you when necessary in a timely fashion.

The April program is the Great 2X4 Challenge, I am putting the final touches on my 2x4 challenge project and should be completed by Thursday's meeting.

Sorry I missed the "Treasure and Crafts" at the Hobart Moose 783 that was held on May 19th.

At our Committees meeting it was reported we sold some tickets for the raffle and some ink pens. Great job everyone that participated.

Our Program Committees Chairman needs our help. Many of the contacts that have committed to talk and or demo at our meetings have backed out for one reason or another. We need to fill a few months worth of time slots. If you could share with our club a special skill that you have developed over the years it would be greatly appreciated. Would anyone be interested in participating in a Four Corners demo? I can do pen furnishings or band-saw boxes, who else would like to do this? Contact Jeff or me at the meeting please.

South Lake County Antique Farm and Tractor Club will be hosting the Antique Tractor Show This July 7th 8 th and 9th. Setup will be July 6th. Please make some items for the club to sell and make arrangements to be there. We always have a great time. More details to come as we get closer.

Shop Visits! It is time to plan for a shop visit in 2023. Hold your visit before the May meeting and get your 23-24 dues paid by the club.

Our EDUCATIONAL RAFFLE Kick Off has begun, time to get yours. Tickets are in for the 2023 Raffle!

August Picnic time is coming up soon. Our past chief will not be able to perform and we are looking for a new chairman to take over the duties for the picnic and Christmas/Awards dinner. Also the location has changed to the Portage VFW for our picnic.

It is time to renew your membership! See Ron and renew your membership!

Bill Schoech, reminds us that it is NOT too early to start making toys for our kids program.

Enjoy this weather and Don't let your tools rust!

Your President, Kevin Sturgeon

SHOW AND TELL



Norm Johnson



Bill Schoech



Kevin Sturgeon



Gene Davis



George Denton

CRAFT SHOW



John Hunter, Al Kalos and Tom Ford
Not in picture: Ron Benson and George Denton

GUEST SPEAKER



Mark Osgood



ITEMS FOR SALE

If you have any wood working related items that you wish to sell through the newsletter please contact John Hunter john.b.hunter@frontier.com Include a description and the price you are selling them for, also how you may be contacted.

If you are looking for a tool that another member would like to sell you can place a wanted ad in the newsletter, just contact John Hunter at john.b.hunter@frontier.com

2023

- April 27th Membership Meeting at at Moose Lodge, 143 South Hobart Road, Hobart IN
7:00 PM 2 x 4 Challenge
- May 17th Committees Meeting at Moose Lodge, 143 South Hobart Road, Hobart IN
7:00 PM
- May 25th Membership Meeting at Moose Lodge, 143 South Hobart Road, Hobart IN
7:00 PM
- June 14th Committees Meeting at Moose Lodge, 143 South Hobart Road, Hobart IN
7:00 PM
- June 22nd Membership Meeting at Moose Lodge, 143 South Hobart Road, Hobart IN
7:00 PM
- July 6th Set Up Club Booth at Steam Show 3 PM at Lake County Fair Grounds
- July 7th – 9th Club Booth at the Steam Show at Lake County Fair Grounds
- July 10th Executive Board Meeting 5 PM at Portage Moose Lodge on County Line Road
- July 19th Committees Meeting at Moose Lodge, 143 South Hobart Road, Hobart IN
7:00 PM
- July 27th Membership Meeting at Moose Lodge, 143 South Hobart Road, Hobart IN
7:00 PM
- August 16th Committees Meeting at Moose Lodge, 143 South Hobart Road, Hobart IN
7:00 PM
- August 24th Membership Meeting at Moose Lodge, 143 South Hobart Road, Hobart IN 7:00 PM
- August 26th Club Picnic at Moose Lodge, 143 South Hobart Road, Hobart IN
12:00 Noon
- September 20th Committees Meeting at Moose Lodge, 143 South Hobart Road, Hobart IN
7:00 PM
- September 21st Setup booth for Fall Harvest Festival And Antique Equipment Show
- September 22nd – 24th Club Booth at Fall Harvest Festival And Antique Equipment Show
9:00 – 5:00
- September 28th Membership Meeting at Moose Lodge, 143 South Hobart Road, Hobart IN
7:00 PM Program Favorite/Least Favorite tools & Silent Auction
- October 2nd Executive Board Meeting 5 PM at Portage Moose Lodge on County Line Road
- October 18th Committees Meeting at Moose Lodge, 143 South Hobart Road, Hobart IN
7:00 PM
- October 26th Membership Meeting at Moose Lodge, 143 South Hobart Road, Hobart IN
7:00 PM
- November 8th Committees Meeting at Moose Lodge, 143 South Hobart Road, Hobart IN

7:00 PM

November 16th Membership Meeting at Moose Lodge, 143 South Hobart Road, Hobart IN

7:00 PM Toy Program

December 6th Committees Meeting at Moose Lodge, 143 South Hobart Road, Hobart IN

7:00 PM

December 14th Membership Meeting at Moose Lodge, 143 South Hobart Road, Hobart IN

6:00 PM Christmas Party, Installation and Awards

Woodworking Tips

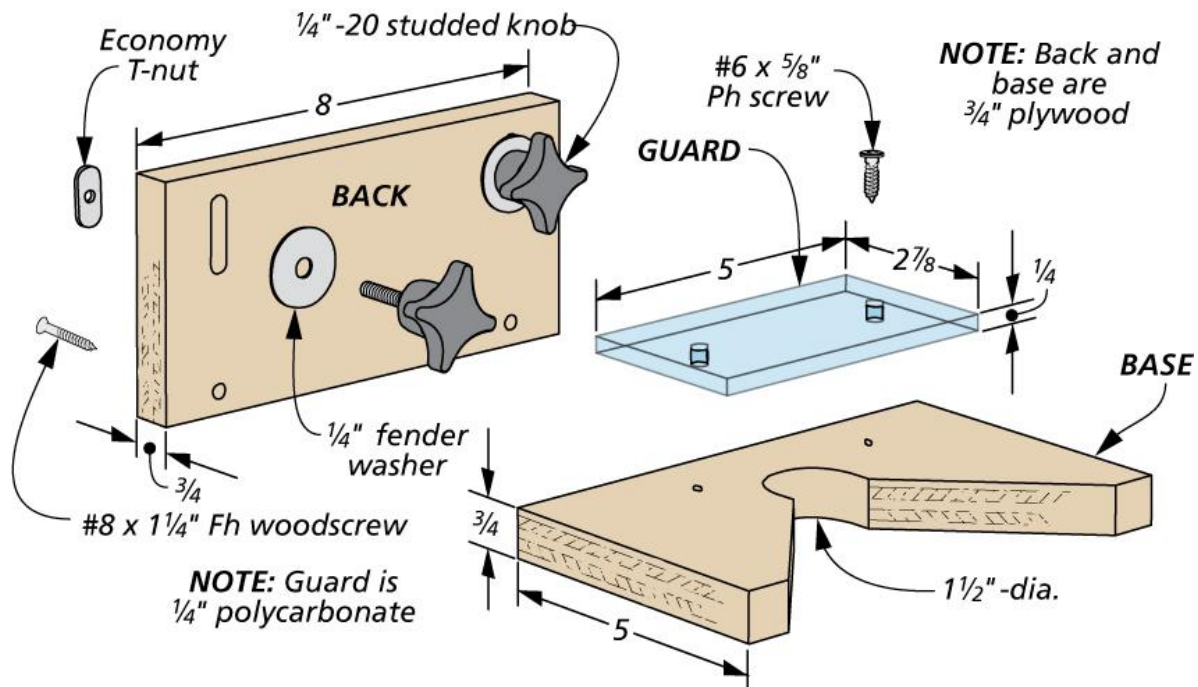
Shop-Made Circular Router Guide

By: Erich Lage

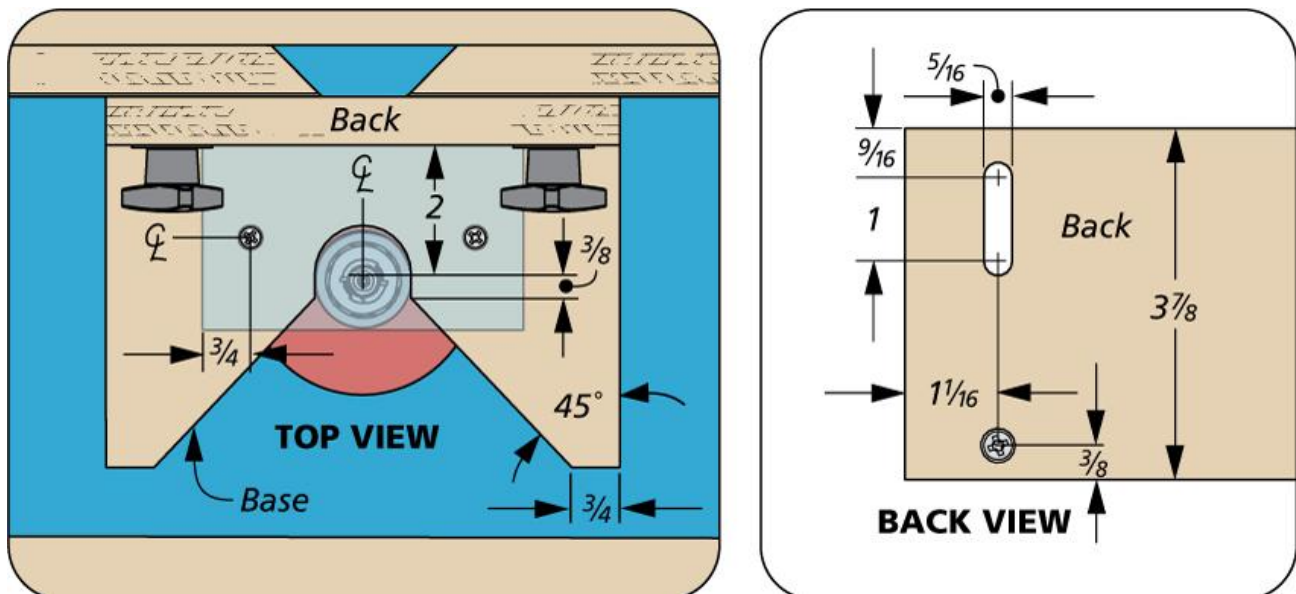
Want to Rout Small Pieces of Wood? Here's the Safest way Possible.



I make a lot of wood toys. This frequently requires routing profiles on small round parts. To safely work with these parts at the router table, I made the guide shown here. This guide serves as a fence for the parts and helps keep my fingers away from the spinning bit. The polycarbonate guard offers a clear view of the bit.



V-notch. The guide is made of plywood. The base has a V-notch cut in it which intersects an elongated hole. The V-notch and the hole provide clearance for the router bit. A pair of threaded knobs and economy T-nuts are mounted in slots on the back and attach the guide to the router fence. The polycarbonate guard is attached with two panhead screws.



To use the guide, the economy T-nuts are slid into the T-track in the fence and the knobs tightened down. The fence can then be adjusted to position the guide for the diameter of the workpiece that you'll be routing. The width of the V-notch can be customized for the diameter of workpieces that you usually work with.



Slots in the back allow the jig to be moved up and down for working on different thickness of materials.