

WOOD CHIPS



Northwest Indiana Woodworkers Association

Volume 23, Issue 7 July 2018

President's Ramblings

Greetings Fellow Woodworkers, I hope everyone had a safe and happy, July 4th this year! **The end of July** is upon us and I hope everyone is staying cool and well hydrated. Our club participated in the 34th Annual South Lake County Antique Farm and Tractor Show and we had a great turnout. Thank you everyone that helped work both the three days, setup plus take down, and to everyone that turned a pen for the ticket raffle give-away. That was a great success again this year, we had sold close to \$600 and sold out of all the tickets we had at the show during the weekend. Our club has been invited back for next year! If you turned a pen for this project please sign up for the Awards Program credit. Having all those pens premade made for a much less stressful event. Thank you again!

August is just around the corner which brings us to **Lake County Fair** time. I hope to see everyone at our booth some time through the weekend. Our schedule for the fair is Thursday August 2nd at 9 pm for set up, Friday the 3rd through Monday the 6th from 10 am to 10 pm to put on demonstrations and talk about our club. Then take down on Monday at 9 pm. Remember to sign in each day to get credit for the Awards Program. **WE ARE IN NEED OF VOLUNTEERS TO MAN THE BOOTH! SIGN UP SHEET WILL BE AT THURSDAY'S MEETING.** We have a place that has been offered to us that we can get out of the heat if you need.

Annual Club Picnic is coming up on Saturday, August 25th, 2018 at Noon. Same location as before, **Hidden Lake Park in Merrivillie, IN.** The club will be providing Hot Dogs, Hamburgers, Chicken, Water and Pop. Bring a covered dish and a gift for the BINGO. So far only a handful of members have signed up for the picnic We need to turn in your name to the park office if you want to attend or you will be charged the entrance fee. To avoid this, sign up at Thursday's meeting or contact/ email John Hunter before August 16th to be included on the list.

Do you have special skills in woodworking that you would like to share?

We are planing on bringing back the **4 CORNERS** in July! Here is a chance for you to demonstrate you skills to the membership. **We still will need at least one or more to demonstrate for this event.** Plan on 45 minutes to an hour for the demo with questions and answer time. If you are available please contact Jeff Snellgrove or myself.

Lake County Fair setup is August 2nd at 9 PM and the Booth opens at 10 AM to 10 PM from August 3rd through the 6th and take down will be at 9 PM on the 6th. Start thinking of what you want to display. Everyone is welcome to come and spend some time at the booth. Make sure you sign in at these events so you get the credit towards the Achievement Awards. Sign up sheets will be available.

August 25th is the Annual Picnic at Hidden Lake Park starting at noon.

Enjoy this weather and Don't let your tools rust!

Your President

Kevin Sturgeon

SHOW AND TELL



Steve Bennett



Mike Schienle



Kevin Sturgeon



Seth Bennett



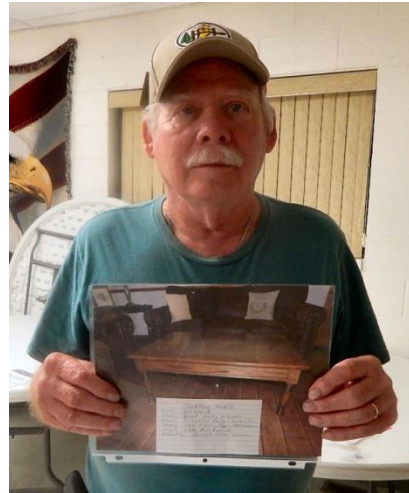
Ken Woolard



Bill Schoech



Jon Robbins



Ron Benson



John Hunter

STEAM SHOW







Julie Fritz of the Antique tractor club. This is the winner of the pen we donated. She was so happy and she is giving it to her father.

ITEMS FOR SALE

If you have any wood working related items that you wish to sell through the newsletter please contact John Hunter john.b.hunter@frontier.com Include a description and the price you are selling them for, also how you may be contacted.

If you are looking for a tool that another member would like to sell you can place a wanted ad in the newsletter, just contact John Hunter at john.b.hunter@frontier.com

2018

July 26th Membership Meeting at 208 South Linda Street, Hobart IN 6:00 PM
August 2nd Set Up Club Booth at Lake County Fair 9 PM
August 3rd – 6th Club Booth at Lake County Fair 10 AM – 10 PM
August 20th Committees Meeting at 2949 Willowcreek Rd, Portage 7:00 PM
August 23rd Membership Meeting at 208 South Linda Street, Hobart IN 7:00 PM
August 25th Club Picnic at Hidden Lake Park in Merrillville
September 17th Committees Meeting at 2949 Willowcreek Rd, Portage 7:00 PM
September 27th Membership Meeting at 208 South Linda Street, Hobart IN 7:00
PM Program Favorite/Least Favorite tools
October 1st Executive Board Meeting at 7 PM at 2949 Willowcreek Rd, Portage

October 15th Committees Meeting at 2949 Willowcreek Rd, Portage 7:00 PM
October 25th Membership Meeting at 208 South Linda Street, Hobart IN 7:00 PM
November 12th Committees Meeting at 2949 Willowcreek Rd, Portage 7:00 PM
November 15th Membership Meeting at 208 South Linda Street, Hobart IN 7:00
PM Toy Program
December 17th Committees Meeting at 2949 Willowcreek Rd, Portage 7:00 PM
December 20th Membership Meeting at 208 South Linda Street, Hobart IN 6:00
PM Christmas Party, Installation and Awards

Bob Flexner's Finishing Tips

<http://www.thefinishingstore.com/>

How To Remove Stripping Sludge With A Wide Putty Knife

On large flat surfaces it's most efficient to remove the bulk of the softened or dissolved finish or paint using a wide putty knife. Scrape off the sludge into a cardboard box. No matter which type of stripper you use, keep it wet until it works its way through the coating so you can remove it easily. Don't fight it. "Let the stripper do the work."

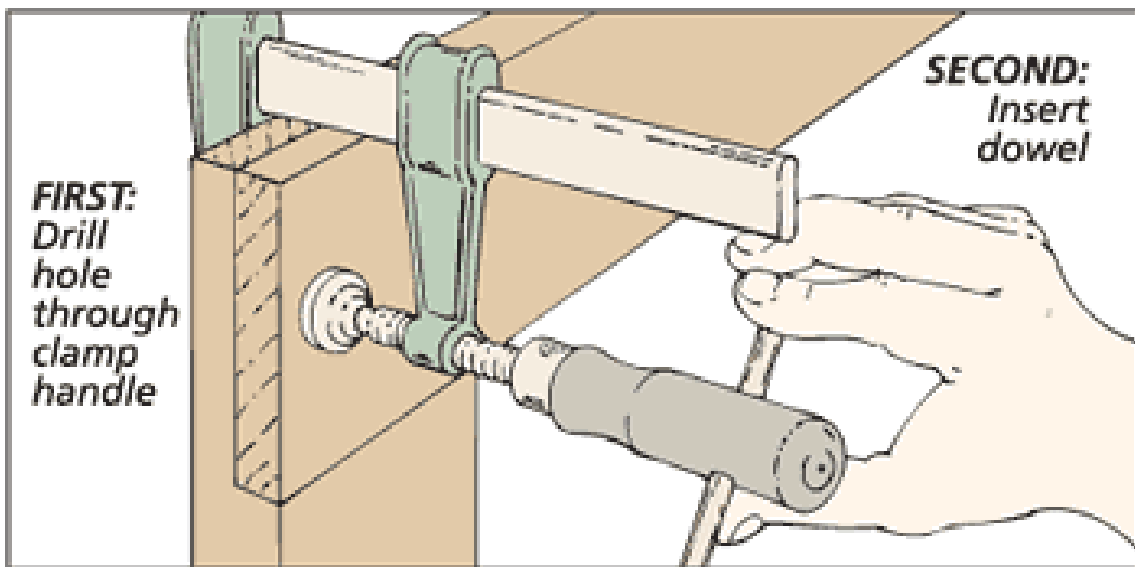


Clear finishes on almost all old furniture and woodwork are either shellac or lacquer. These will dissolve into a "gunk." After scraping off the bulk of the finish, reapply the stripper and remove the remainder with a cloth or absorbent paper towels.

Most paints, varnishes and modern high-performance finishes hold together pretty well—that is, they don't dissolve—but they do separate from the wood. So you need to get under them with a putty knife and lift them off, as shown in the accompanying picture.

Be sure to round over the sharp edges of the putty-knife blade using a file so they don't scratch the wood.

More Leverage on Clamps



Sometimes I have a hard time getting a good grip on the small handles of many of my clamps, making it difficult to tighten them.

To solve this problem, I simply drill a $\frac{3}{8}$ "-dia. hole in each handle. Then I slip a short (6") length of dowel through the hole, as shown in the drawing above. This way, the dowel allows me to get a better grip when I really need to tighten it.

To get more tips on woodworking techniques, just visit [PlansNOW](http://PlansNOW.com).

Good Woodworking,

Ted Raife

Online Editor, *Woodsmith*