

WOOD CHIPS



Northwest Indiana Woodworkers Association

Volume 28, Issue 3 March 2023

President's Rambling

Greetings Fellow Woodworkers, March is here and soon to close out. I am looking forward to warmer weather so I can get working on some furniture outside that I promised my wife and children. April has a few scheduling conflicts for me, I have a class at MASW, and I had planned on being at the Craft show the Moose lodge is having on April 15th. John Hunter and I split the fees for some tables with electricity but I will not be able to attend. We are inviting club members to bring some of your projects to sell and donate some for the club to sell, raffle tickets will be available.

The Annual club pick-nick venue has been changed to the Portage VFW this year. Also we are in-need of a new chairman or chairwoman to take over for the pick-nick and Christmas Dinner. More information will be at the meeting Thursday.

March Program: Make Your Own Vacuum Pressing Table with guest speaker Mark Osgood.

MARK OSGOOD is a life-long woodworker. His first major project was building a sailing dingy when he was 13. Growing up around water, he worked in boatyards in Florida, Ohio, and Chicago, doing extensive repairs. He had a long career in the Chicago futures markets and found woodworking to be a helpful stress reliever. His family's interest in bicycling led him to merge the sport with woodworking. He has been building wooden bicycles since 2013, full time for the last three years. His award-winning work has appeared in art shows and presentations to woodworker guilds and bicycle clubs. Mark won the 2016 Veneer Tech Challenge award and the Excellence in Woodworking award at MASW. Examples of Mark's bicycles can be seen at RollingArtBicycles.com. (Bio from MASW online catalog).

The April Program is the 2 x 4 Challenge. Remember April is the 2x4 challenge! It is time to start working on your 2x4 project for 2023. It's always great to see what ideas you have been working with.

South Lake County Antique Farm and Tractor Club will be hosting the Antique Tractor Show This July 7th 8th and 9th. Setup will be July 6th. Please make some items for the club to sell and make arrangements to be there. We always have a great time. More details to come as we get closer

Shop Visits! It is time to plan for a shop visit in 2023. Hold your visit before the May meeting and get your 23-24 dues paid by the club.

Our Treasurer is looking for someone to help in case he can't always be at a meeting. All that is needed is for a standby. He will explain what he does. An e-mail address will be required. Talk to Ron at a meeting if interested.

Our EDUCATIONAL RAFFLE. Tickets are in for the 2023 Raffle!

Early Bird, Renew early and get your membership card stamped with the fancy EARLY BIRD stamp and get an achievement point.

Enjoy this weather and Don't let your tools rust!

Your President, Kevin Sturgeon

SHOW AND TELL



Ron Benson



George Denton



Kevin Sturgeon



Bill Schoech



Gene Davis



Jon Robbins



Kevin Klebs

JIGS



George Denton



Rodney Foster



Kevin Sturgeon



Bill Schoech



Kevin Klebs

ITEMS FOR SALE

If you have any wood working related items that you wish to sell through the newsletter please contact John Hunter john.b.hunter@frontier.com Include a description and the price you are selling them for, also how you may be contacted.

If you are looking for a tool that another member would like to sell you can place a wanted ad in the newsletter, just contact John Hunter at john.b.hunter@frontier.com

2023

March 23rd Membership Meeting at Moose Lodge, 143 South Hobart Road, Hobart IN

7:00 PM

April 3rd Executive Board Meeting at Portage Moose Lodge on County Line Road

April 19th Committees Meeting at Moose Lodge, 143 South Hobart Road, Hobart IN

7:00 PM

April 27th Membership Meeting at at Moose Lodge, 143 South Hobart Road, Hobart IN

7:00 PM 2 x 4 Challenge

May 17th Committees Meeting at Moose Lodge, 143 South Hobart Road, Hobart IN

7:00 PM

May 25th Membership Meeting at Moose Lodge, 143 South Hobart Road, Hobart IN

7:00 PM

June 14th Committees Meeting at Moose Lodge, 143 South Hobart Road, Hobart IN

7:00 PM

June 22nd Membership Meeting at Moose Lodge, 143 South Hobart Road, Hobart IN

7:00 PM

July 6th Set Up Club Booth at Steam Show 3 PM at Lake County Fair Grounds

July 7th – 9th Club Booth at the Steam Show at Lake County Fair Grounds

July 10th Executive Board Meeting 5 PM at Portage Moose Lodge on County Line Road

July 19th Committees Meeting at Moose Lodge, 143 South Hobart Road, Hobart IN

7:00 PM
July 27th Membership Meeting at Moose Lodge, 143 South Hobart Road, Hobart IN
7:00 PM
August 16th Committees Meeting at Moose Lodge, 143 South Hobart Road, Hobart IN
7:00 PM
August 24th Membership Meeting at Moose Lodge, 143 South Hobart Road, Hobart IN 7:00 PM
August 26th Club Picnic at Portage VFW, [2803 Monnier St Portage IN 46368](http://www.portagevfw.com)
12:00 Noon
September 20th Committees Meeting at Moose Lodge, 143 South Hobart Road, Hobart IN
7:00 PM
September 21st Setup booth for Fall Harvest Festival And Antique Equipment Show
September 22nd – 24th Club Booth at Fall Harvest Festival And Antique Equipment Show
9:00 – 5:00
September 28th Membership Meeting at Moose Lodge, 143 South Hobart Road, Hobart IN
7:00 PM Program Favorite/Least Favorite tools & Silent Auction
October 2nd Executive Board Meeting 5 PM at Portage Moose Lodge on County Line Road
October 18th Committees Meeting at Moose Lodge, 143 South Hobart Road, Hobart IN
7:00 PM
October 26th Membership Meeting at Moose Lodge, 143 South Hobart Road, Hobart IN
7:00 PM
November 8th Committees Meeting at Moose Lodge, 143 South Hobart Road, Hobart IN
7:00 PM
November 16th Membership Meeting at Moose Lodge, 143 South Hobart Road, Hobart IN
7:00 PM Toy Program
December 6th Committees Meeting at Moose Lodge, 143 South Hobart Road, Hobart IN
7:00 PM
December 14th Membership Meeting at Moose Lodge, 143 South Hobart Road, Hobart IN
6:00 PM Christmas Party, Installation and Awards

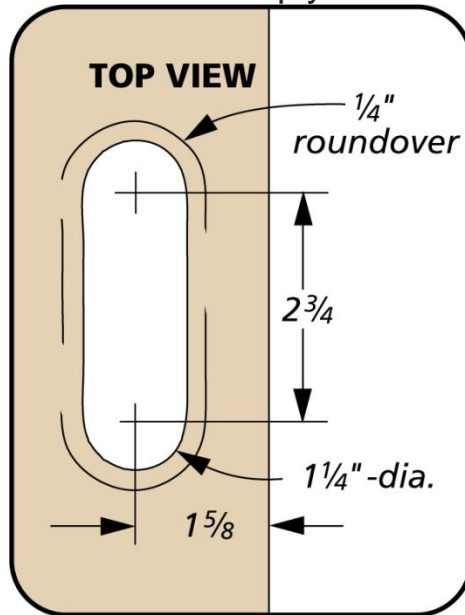
Woodworking Tips

Kreg Jig & Clamp Base

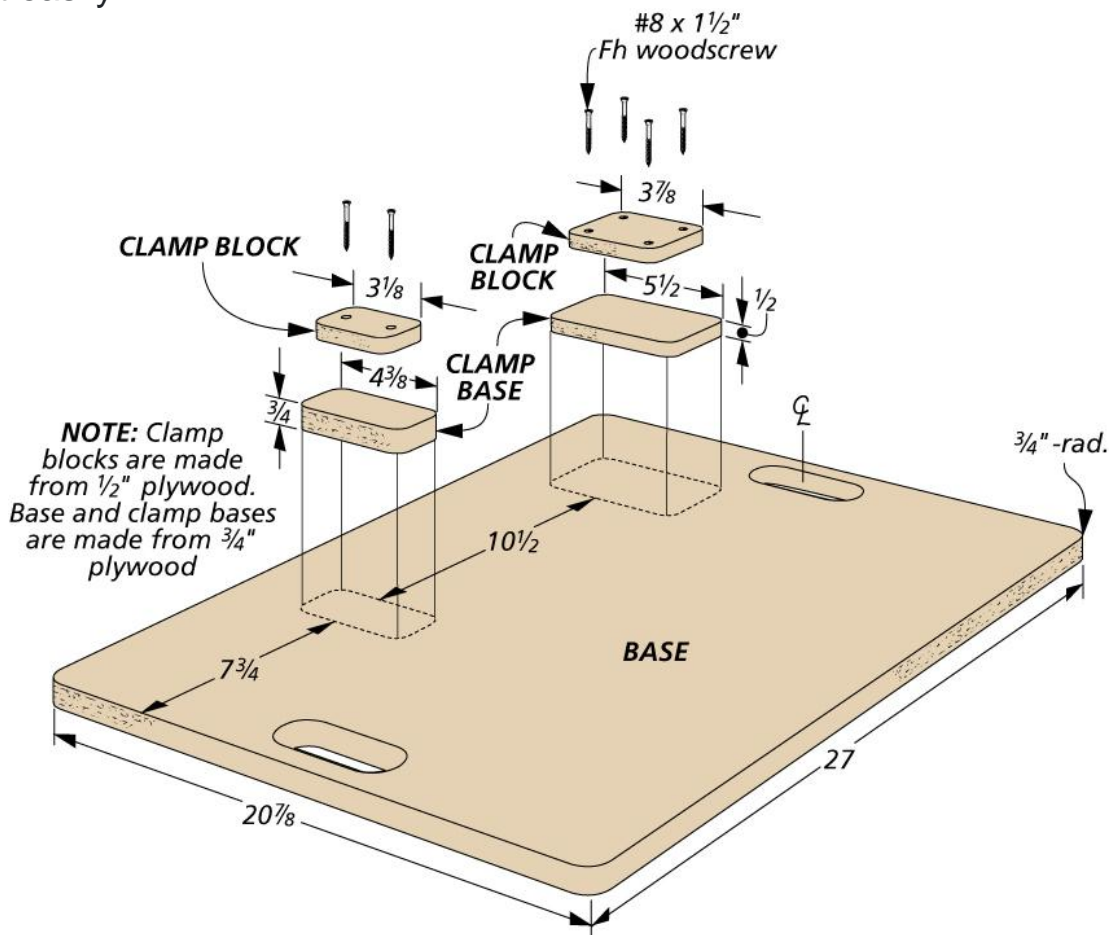
By: Erich Lage

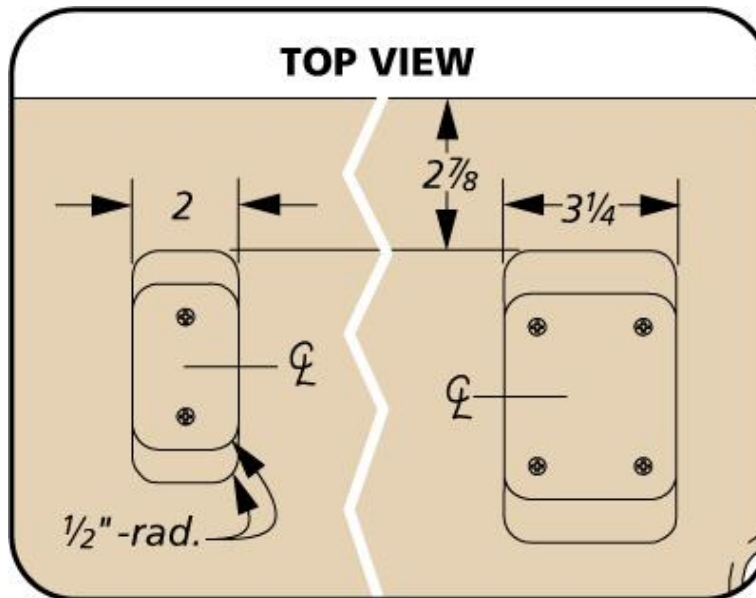


I recently built the Table Saw Storage Cart from *Woodsmith* No. 233. I decided to replace one of the pegboard frames with a plywood base for my *Kreg Jig*.



By cutting a couple of hand holes in a piece of plywood, the workstation slides in and out easily.





I even had room on the panel to add some blocks to hold my assembly clamps. Because I have a K5 system, the Kreg base stores the drill bit and accessories. This means that when I need to transport my jig, I can simply carry the jig base wherever I need to use it.



The plywood base is wide enough that it can be used without clamping it to the workbench, or can be set on sawhorses.