

WOOD CHIPS



Northwest Indiana Woodworkers Association
Volume 27, Issue 9 September 2022

President's Ramblings

Greetings Fellow Woodworkers, I have been so busy where did the summer go? The fall antique tractor show is here already. The setup date is on the same day as our regular club meeting at 1 PM. Hope to see many of you there and if you can't make it, bring an item or two to sell at this fundraiser at the meeting in the evening. Julie and I attended the Wood Expo in Charlotte Michigan and picked up some project wood to get me through the winter. With the club picnic on Saturday we made it back Friday. Picnic attendance was down this year but the food was very good. October's meeting we are planning the October fest again as a thank you to all our members for all the participation and help that you have done throughout the year.

NOMINATING COMMITTEE: October is here and the nominee committee needs to gather nominee's for next year's officers. Have you considered running for an office? You want to see a change in direction of the club? You can run for any office. The nominating committee will start the process of gathering names for this year's elections.

46th Annual FALL HARVEST FESTIVAL & ANTIQUE EQUIPMENT SHOW

September 23 - September 25, 2022 9:00AM – 5:00PM setup September 22 at 1 pm.
[\(https://www.indianascoolnorth.com/events/fall-harvest-festival-antique-equipment-show-3/\)](https://www.indianascoolnorth.com/events/fall-harvest-festival-antique-equipment-show-3/)

If you can help at our booth, sign up at the next club meeting, what days and times you can help. We also are asking members to donate items they have made for the club to sell and raise funds for our programs. This was such a success last year and would like to see a repeat this year. If you have something please bring it to our regular club meeting Thursday or bring it out to the setup on Thursday also, come out and help.

Raffle Tickets, be sure to see John Fluck and purchase yours now and take some to sell to your friends and family.

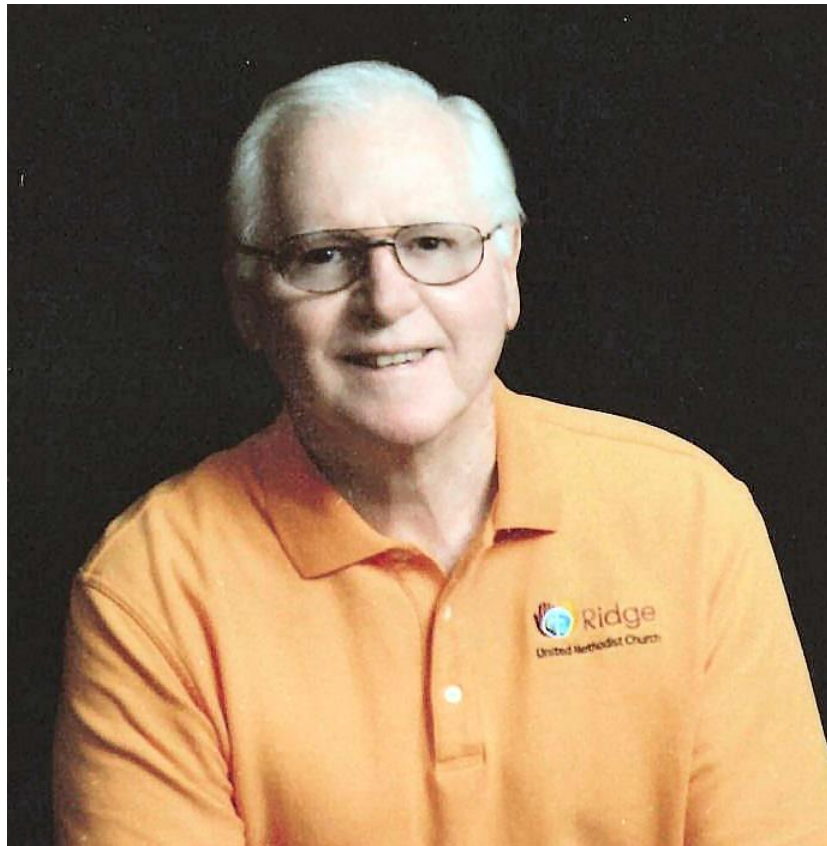
Program for September is Favorite / Least Favorite tool. Dust off that klunker tool that is taking up space and help out your fellow woodworker. Tell him or her why it was a bad or great investment. Also why you can't live without that special tool in your shop. This was a great turn out last year; I can't wait to see what is brought in for this year.

October program is making a Safe Beeswax finish.

November, Toy give away, drawing of the educational raffle, and Election of officers for 2023.

December, Installation of officers, and Christmas dinner (remember the earlier start time 6PM)

We have decided to bring back the **Oktoberfest**. The Club will provide the brats buns and kraut at our October meeting. Beverage of choice can be obtained in the social quarters. We will have a sign-up sheet at the September meeting or you can email John Hunter or myself to get on the list. We can always use some help from our members to make this work.



Former longtime member, Robert (Bob) P. Roach, age 85, of Crown Point, IN, formerly of Highland, IN, passed away on Friday, September 2, 2022. Robert was born and raised in Harvey, IL. He served his country in the U.S. Navy and then earned his Engineering Degree from the University of Illinois. After college, Robert worked as a draftsman for Allis-Chalmers. He then worked for, and retired from AT&T as a repairman, with 35 years of service. Robert enjoyed sailboat racing, playing tennis, pool and golf. He was an avid woodworker, enjoyed searching genealogy, teaching his grandkids magic tricks, playing guitar and self-educating on becoming a Jack-of-all-trades. Robert was a member of the Northwest Indiana Woodworkers Association, the webmaster for the Northwest Indiana Concert Association and was also a member of Ridge United Methodist Golf League.

Consider scheduling a shop visit and get your 2023 dues paid by the club.

Enjoy this weather and Don't let your tools rust!

Your President, Kevin Sturgeon

SHOW AND TELL



Kevin Sturgeon



Rodney Foster



Bill Schoech



George Denton

TRACTOR SHOW







PROGRAM



ITEMS FOR SALE

If you have any wood working related items that you wish to sell through the newsletter please contact John Hunter john.b.hunter@frontier.com Include a description and the price you are selling them for, also how you may be contacted.

If you are looking for a tool that another member would like to sell you can place a wanted ad in the newsletter, just contact John Hunter at john.b.hunter@frontier.com

2022

September 22nd Membership Meeting at Moose Lodge, 143 South Hobart Road, Hobart IN

7:00 PM Program Favorite/Least Favorite tools

October 3rd Executive Board Meeting 5 PM at Portage Moose Lodge on County Line Road

October 19th Committees Meeting at Moose Lodge, 143 South Hobart Road, Hobart IN

7:00 PM

October 27th Membership Meeting at Moose Lodge, 143 South Hobart Road, Hobart IN

7:00 PM

November 9th Committees Meeting at Moose Lodge, 143 South Hobart Road, Hobart IN

7:00 PM

November 17th Membership Meeting at Moose Lodge, 143 South Hobart Road, Hobart IN

7:00 PM Toy Program

December 7th Committees Meeting at Moose Lodge, 143 South Hobart Road, Hobart IN

7:00 PM

December 15th Membership Meeting at Moose Lodge, 143 South Hobart Road, Hobart IN

6:00 PM Christmas Party, Installation and Awards

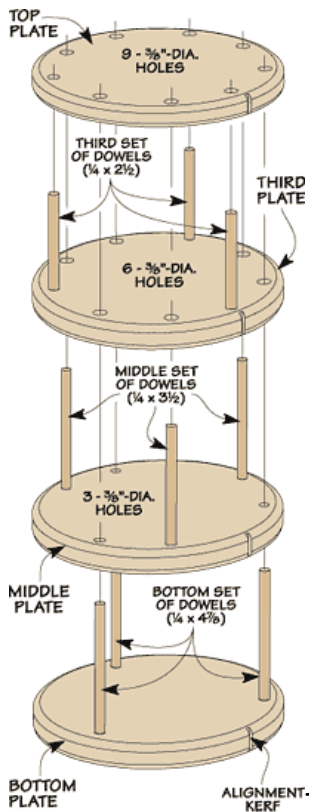
Woodsmith Tips

Sandpaper Organizer



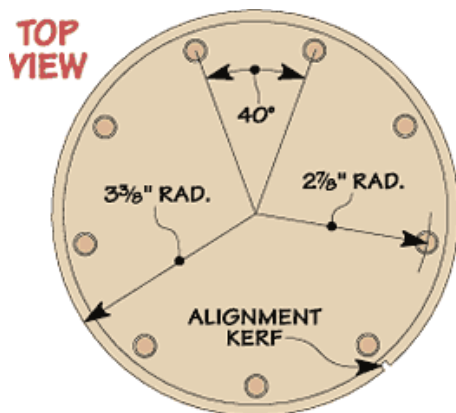
Each time I changed sandpaper on my random orbital sander, it meant searching to find the right disk. And when I found one, it was often bent or curled up. So I built the sandpaper organizer shown at right.

The organizer lets me store three different grits of sandpaper. It takes up very little space and keeps the the disks flat.



To build the organizer, cut four round plates from $\frac{3}{4}$ " MDF. Then use a hand saw to cut an alignment mark on the edge of each plate.

Next, drill $\frac{3}{8}$ "-dia. holes in the top plate (*Top View below*). You can then use it as a template for locating the $\frac{1}{4}$ "-dia. through holes in each plate that accept the alignment dowels. As you can see in the drawing, there are three in each plate. Finally, drill $\frac{3}{8}$ "-dia. holes in the plates for each of the dowels to slide through.



To use the organizer, place sandpaper on the bottom plate. Next, line up the saw kerf on the edge of the second plate with the bottom plate and slide the second plate over the dowels. Then continue to add sandpaper and plates until it's filled.

To see other ideas for your shop, just visit [PlansNOW](http://PlansNOW.com).

Good woodworking, Phil Huber
Online Editor, *ShopNotes*