

# WOOD CHIPS



Northwest Indiana Woodworkers Association

Volume 28, Issue 2 February 2024

## **WOODEN YOU LIKE TO KNOW....**

Greetings fellow woodworkers,

I hope that February finds everyone well and beginning to get active and take on some new woodworking projects. It was great to see a good turnout at the January meeting and I hope that everyone had a good time as it was my first opportunity to be in a leadership role. While being a little nervous and a little under the weather at the same time, I had fun. Thank you.

In January we signed on a couple of new members. Welcome to the club.

This month I would like to speak a little bit about active club participation. I am quite sure that no one wants to hear me stand in front of the room and talk for prolonged periods of time. That gets very boring in a hurry. To make this a more enjoyable monthly gathering, I would like to pursue the following objectives;

1. To start each meeting as usual with the obligations of the club business, but briefly as to move on to the more fun stuff.
2. To have a much larger participation in our monthly show and tell portion of the meeting. I love seeing and hearing about our members projects and I am sure that you do too. It gives all of us an opportunity to get new ideas for things that we can make. Keep in mind that this doesn't necessarily have to be something that you just did. If the club hasn't seen it before or it has been a long time since we have, remember we also have new members that are there to see what we do and learn from us. Be willing to talk openly about your creation. Where did you get the idea to make it? How did you acquire the plans? Why did you choose the particular materials? Did you have any issues or learn anything along way to completion? etc.
3. Monthly program participation. Number one leading into this is to hear your ideas. What do you want to see? Whatever you lean towards in your own woodworking and skills, I am sure that there are things that you want to learn. Speak up and let it be known. The program committee is there to do everything possible to fulfill our wishes and you too can participate by volunteering to

demonstrate a skill within our ranks should someone ask to see something that you may know how to do. It all helps.

4. Lastly, membership. Recruiting is very important for our club's sustainability. Talk up our club when speaking to others that you know may be interested in the craft. Carry a few club cards with you and bring friends to meetings when the opportunity arises. When we are at the shows that we do, make that a priority. When you speak to someone stopping by, the first question you should ask is are you a woodworker? The more members we have the more things that that we can do and fun that we can have as a club.

#### REMINDERS:

This month will have our "Jigs and fixtures" program .

As I stated previously, this program really requires good club participation. All of us in our woodworking endeavors use, make and or buy these aids in production of our projects. Looking around my own shop, I probably have 40-50 or more that I use. Some frequently and some rarely but at one time or another I have used everyone of them. They may be as simple as a center marking tool or a complex jig for making multiple cuts. They are all interesting to other woodworkers and we would like to see and hear about them.

Our club has been asked by past member Russ Tomjanovich to assist the Veterans museum that is his passion. They have had on loan a replica New York skyline and twin towers display that they are about to lose soon. It was created and built by a craftsman that is relocating to Florida and he wishes to reclaim it and take it with him. This is a large display with numerous structures and will be quite a big project for several persons. They only way that I can see to assist them is to have volunteers to take on building the wooden structures individually as separate pieces by members in their own shops. For scale the twin towers in the photos are approximately 8' tall. I will touch on this at this month's meeting. This would be a great opportunity to give back a little to our veterans and to the local school kids that visit this museum each year. The museums are located behind The Safety Center in Schererville.



Thanks and be safe,  
Jeff Snellgrove  
President NIWA

### FROM THE TREASURER

NIWA members; This coming meeting on February 22nd., Cub dues can be paid early. Dues are \$25.00, \$35.00 for husband and wife. You will get an achievement point paying early.

Our club raffle is ready for members to take some tickets to sell or buy. This fundraiser is very important to help pay our bills and purchase toy supplies and maybe pay for speakers to come give a demo. Please take some.

### SHOW AND TELL



**Kevin Sturgeon**



**Jeff Snellgrove**



**Bryant Mitol**





**George Denton**



**Susan Bunce**



**Bill Schoech**



**James Krohn**



**Donald Miller**

## **ITEMS FOR SALE**

**If you have any wood working related items that you wish to sell through the newsletter please contact John Hunter [john.b.hunter@frontier.com](mailto:john.b.hunter@frontier.com) Include a description and the price you are selling them for, also how you may be contacted.**

**If you are looking for a tool that another member would like to sell you can place a wanted ad in the newsletter, just contact John Hunter at [john.b.hunter@frontier.com](mailto:john.b.hunter@frontier.com)**

## **2024**

January 25<sup>th</sup> Membership Meeting at Moose Lodge, 143 South Hobart Road, Hobart IN 7:00 PM  
Silent Auction

February 14<sup>th</sup> Committees Meeting at Moose Lodge, 143 South Hobart Road, Hobart IN  
7:00 PM

February 22<sup>nd</sup> Membership Meeting at Moose Lodge, 143 South Hobart Road, Hobart IN  
7:00 PM Shop Jigs

March 20<sup>th</sup> Committees Meeting at Moose Lodge, 143 South Hobart Road, Hobart IN  
7:00 PM

March 28<sup>th</sup> Membership Meeting at Moose Lodge, 143 South Hobart Road, Hobart IN  
7:00 PM

April 2<sup>nd</sup> Executive Board Meeting at Portage Moose Lodge on County Line Road

April 17<sup>th</sup> Committees Meeting at Moose Lodge, 143 South Hobart Road, Hobart IN  
 7:00 PM  
 April 20<sup>th</sup> Shop Visit at Scott Phillips Shop.  
 April 25<sup>th</sup> Membership Meeting at at Moose Lodge, 143 South Hobart Road, Hobart IN  
 7:00 PM 2 x 4 Challenge  
 May 15<sup>th</sup> Committees Meeting at Moose Lodge, 143 South Hobart Road, Hobart IN  
 7:00 PM  
 May 23<sup>rd</sup> Membership Meeting at Moose Lodge, 143 South Hobart Road, Hobart IN  
 7:00 PM  
 June 19<sup>th</sup> Committees Meeting at Moose Lodge, 143 South Hobart Road, Hobart IN  
 7:00 PM  
 June 27<sup>th</sup> Membership Meeting at Moose Lodge, 143 South Hobart Road, Hobart IN  
 7:00 PM  
 July 11<sup>th</sup> Set Up Club Booth at Steam Show 3 PM at Lake County Fair Grounds  
 July 12<sup>th</sup> to 14<sup>th</sup> Club Booth at the Steam Show at Lake County Fair Grounds  
 July 8<sup>th</sup> Executive Board Meeting 5 PM at Portage Moose Lodge on County Line Road  
 July 17<sup>th</sup> Committees Meeting at Moose Lodge, 143 South Hobart Road, Hobart IN  
 7:00 PM  
 July 25<sup>th</sup> Membership Meeting at Moose Lodge, 143 South Hobart Road, Hobart IN  
 7:00 PM  
 August 14<sup>th</sup> Committees Meeting at Moose Lodge, 143 South Hobart Road, Hobart IN  
 7:00 PM  
 August 22<sup>nd</sup> Membership Meeting at Moose Lodge, 143 South Hobart Road, Hobart IN 7:00 PM  
 August 25<sup>th</sup> Club Picnic at the Portage VFW at 2803 Monnier St. In Portage IN  
 12:00 Noon  
 September 18<sup>th</sup> Committees Meeting at Moose Lodge, 143 South Hobart Road, Hobart IN  
 7:00 PM  
 September 26 Setup booth for Fall Harvest Festival And Antique Equipment Show  
 September 26<sup>th</sup> Membership Meeting at Moose Lodge, 143 South Hobart Road, Hobart IN  
 7:00 PM Program Favorite/Least Favorite tools & Silent Auction  
 September 27<sup>th</sup>-29<sup>th</sup> Club Booth at Fall Harvest Festival And Antique Equipment Show  
 9:00 – 5:00  
 October 2<sup>nd</sup> Executive Board Meeting 5 PM at Portage Moose Lodge on County Line Road  
 October 16<sup>th</sup> Committees Meeting at Moose Lodge, 143 South Hobart Road, Hobart IN  
 7:00 PM  
 October 24<sup>th</sup> Membership Meeting at Moose Lodge, 143 South Hobart Road, Hobart IN  
 7:00 PM  
 November 6<sup>th</sup> Committees Meeting at Moose Lodge, 143 South Hobart Road, Hobart IN  
 7:00 PM  
 November 16<sup>th</sup> Membership Meeting at Moose Lodge, 143 South Hobart Road, Hobart IN  
 7:00 PM Toy Program  
 December 4<sup>th</sup> Committees Meeting at Moose Lodge, 143 South Hobart Road, Hobart IN  
 7:00 PM  
 December 12<sup>th</sup> Membership Meeting at Moose Lodge, 143 South Hobart Road, Hobart IN  
 6:00 PM Christmas Party, Installation and Awards



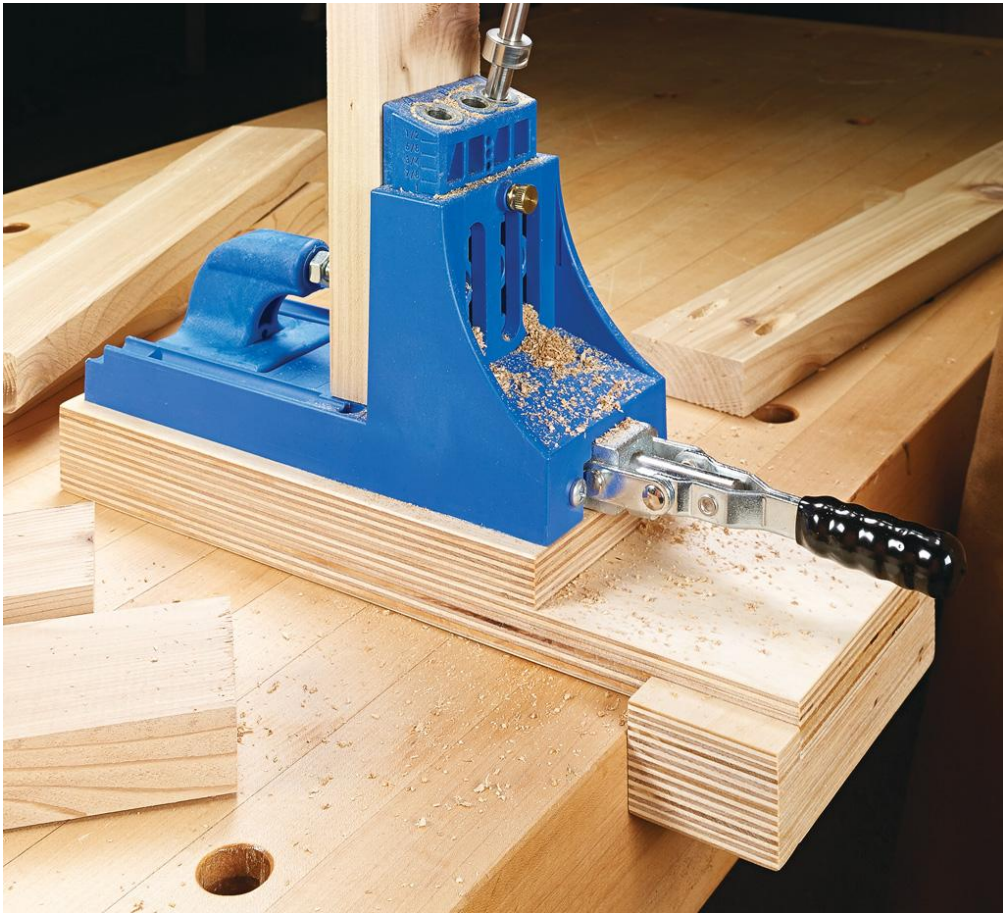
## Woodworking Tips

### Kreg Base with Bench Dog

By: *Erich Lage*

A sturdy base that's added to your Kreg jig gets you working on pocket joinery faster.

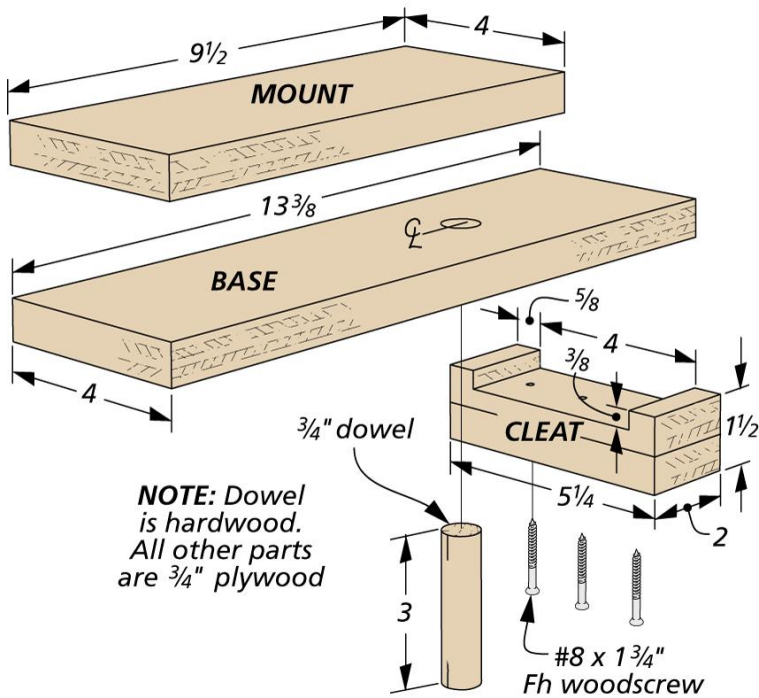
We earn from qualifying purchases made through affiliate links.



Lately, I've been making a lot of projects using pocket-hole joinery. I don't have the [workbench](#) space to dedicate to a permanent setup. But clamping and unclamping the [jig](#) on my [workbench](#) was getting old. My answer was a simple portable platform.

Just three pieces of plywood and a dowel are all that's required.

*NOTE: Location of  $\frac{3}{4}$ " through hole for dowel depends on position of dog holes in workbench*



The largest piece is the base. It supports the mount that the platform is attached to. A cleat screwed to the base from underneath prevents the whole unit from spinning while in use.



As you see above, a dowel locks it to the [workbench](#).