

WOOD CHIPS



Northwest Indiana Woodworkers Association

Volume 28, Issue 5 May 2023

President's Corner

Greetings Ladies & Gentlemen of the woodworking club. We have some great things coming up soon. We are two meetings away from the Tractor Show at the Lake County Fairgrounds and four meetings from our annual PICNIC. We are in need of projects to sell at the tractor show. It doesn't have to be anything big but everything helps. As in the past please mark what you think is a fair price to charge for the donated item and if it is left on the table at the end it would help us all if you take it home with you. I know I don't have any spare room left in the garage. Sign up sheets will be at this meeting for donations and participation at the booth. Volunteers are needed for soda/water and ice. Tractor show setup is JULY 6th and starts on Friday the 7th 8th and 9th as of last notice we will be in the Arts and Crafts Building from 10 am to 5pm.

Picnic venue has been changed to VFW in Portage this year. I will bring my 2 Webber grills, hot dogs, hamburgers and brats I can handle the grilling but someone else needs to be the caller for the BINGO. We should discuss what would be appropriate for BINGO prizes.

May Program. Will be presented by our own Bill Schoech, on the subject of wood.

I was looking at Lou Takacs' President's report from May 5th, 2010 where he was discussing in house

programs and demos. It is interesting to me that we are looking at our selves again to come up with intriguing programs. One thing Lou did then was 3 corners and we have done that but not recently. I think that would be a great program. If you have a special skill that you want to share we can schedule you in! Quoted from Lou " I also think that some of best programs are when a member shows his/her special skill such as scroll sawing, pen turning etc. We have had some really good programs from members in the past and I hope we can do more in the future. We have a lot of knowledge within the organization" Lou Takacs.

The Educational Raffle is in full swing, get your tickets at this meeting.

South Lake County Antique Farm and Tractor Club will be hosting the Antique Tractor Show This July 7th 8th and 9th. Setup will be July 6th. Please make some items for the club to sell and make arrangements to be there. We always have a great time. More details to come as we get closer.

Shop Visits! It is time to plan for a shop visit in 2023. Hold your visit and get your 24-25 dues paid by the club.

Our EDUCATIONAL RAFFLE Kick Off has begun, time to get yours. Tickets are in for the 2023 Raffle!

Picnic and Christmas/Awards dinner chairperson position is open. We could use a good organizer for this position. In the meantime I will be asking our members to step up and help out. As in the past all of you have always been so generous in helping.

Club Dues renewal! See Ron and renew your membership today!

Bill Schoech, reminds us that it is NOT too early to start making toys for our kids program.

Enjoy this weather and Don't let your tools rust!

Your President, Kevin Sturgeon

SHOW AND TELL



Chuck Bell



Steve Smith



Dan Scheribere



Norm Johnson



Bill Schoech



Gene Davis



Kevin Sturgeon

2X4 CHALLENGE



George Denton



Norm Johnson



Kevin Sturgeon



Bill Schoech

ITEMS FOR SALE

If you have any wood working related items that you wish to sell through the newsletter please contact John Hunter john.b.hunter@frontier.com Include a description and the price you are selling them for, also how you may be contacted.

If you are looking for a tool that another member would like to sell you can place a wanted ad in the newsletter, just contact John Hunter at john.b.hunter@frontier.com

2023

May 25th Membership Meeting at Moose Lodge, 143 South Hobart Road, Hobart IN
7:00 PM

June 14th Committees Meeting at Moose Lodge, 143 South Hobart Road, Hobart IN
7:00 PM

June 22nd Membership Meeting at Moose Lodge, 143 South Hobart Road, Hobart IN
7:00 PM

July 6th Set Up Club Booth at Steam Show 3 PM at Lake County Fair Grounds

July 7th – 9th Club Booth at the Steam Show at Lake County Fair Grounds

July 10th Executive Board Meeting 5 PM at Portage Moose Lodge on County Line Road

July 19th Committees Meeting at Moose Lodge, 143 South Hobart Road, Hobart IN
7:00 PM

July 27th Membership Meeting at Moose Lodge, 143 South Hobart Road, Hobart IN
7:00 PM

August 16th Committees Meeting at Moose Lodge, 143 South Hobart Road, Hobart IN
7:00 PM

August 24th Membership Meeting at Moose Lodge, 143 South Hobart Road, Hobart IN 7:00 PM

August 26th Club Picnic at Moose Lodge, 143 South Hobart Road, Hobart IN
12:00 Noon

September 20th Committees Meeting at Moose Lodge, 143 South Hobart Road, Hobart IN
7:00 PM
September 21st Setup booth for Fall Harvest Festival And Antique Equipment Show
September 22nd – 24th Club Booth at Fall Harvest Festival And Antique Equipment Show
9:00 – 5:00
September 28th Membership Meeting at Moose Lodge, 143 South Hobart Road, Hobart IN
7:00 PM Program Favorite/Least Favorite tools & Silent Auction
October 2nd Executive Board Meeting 5 PM at Portage Moose Lodge on County Line Road
October 18th Committees Meeting at Moose Lodge, 143 South Hobart Road, Hobart IN
7:00 PM
October 26th Membership Meeting at Moose Lodge, 143 South Hobart Road, Hobart IN
7:00 PM
November 8th Committees Meeting at Moose Lodge, 143 South Hobart Road, Hobart IN
7:00 PM
November 16th Membership Meeting at Moose Lodge, 143 South Hobart Road, Hobart IN
7:00 PM Toy Program
December 6th Committees Meeting at Moose Lodge, 143 South Hobart Road, Hobart IN
7:00 PM
December 14th Membership Meeting at Moose Lodge, 143 South Hobart Road, Hobart IN
6:00 PM Christmas Party, Installation and Awards

FROM THE TREASURER

Fellow club members; Club dues are now due at the May meeting. Dues are still only \$25.00 and \$35.00 for husband & wife.

Raffle tickets are available to take and sell or buy. As was mentioned many times this is a very important program. The funds from this helps to keep your club solvent. We start making a profit when we sell \$30.00 more in tickets. One member has sold \$385.00 in tickets. More help is needed. Thanks Ron Benson

MAY PROGRAM

The May presentation is "The challenges of identifying pieces of wood - consider endgrain, color, wood surface, and density" by member Bill Schoech

Woodworking Tips

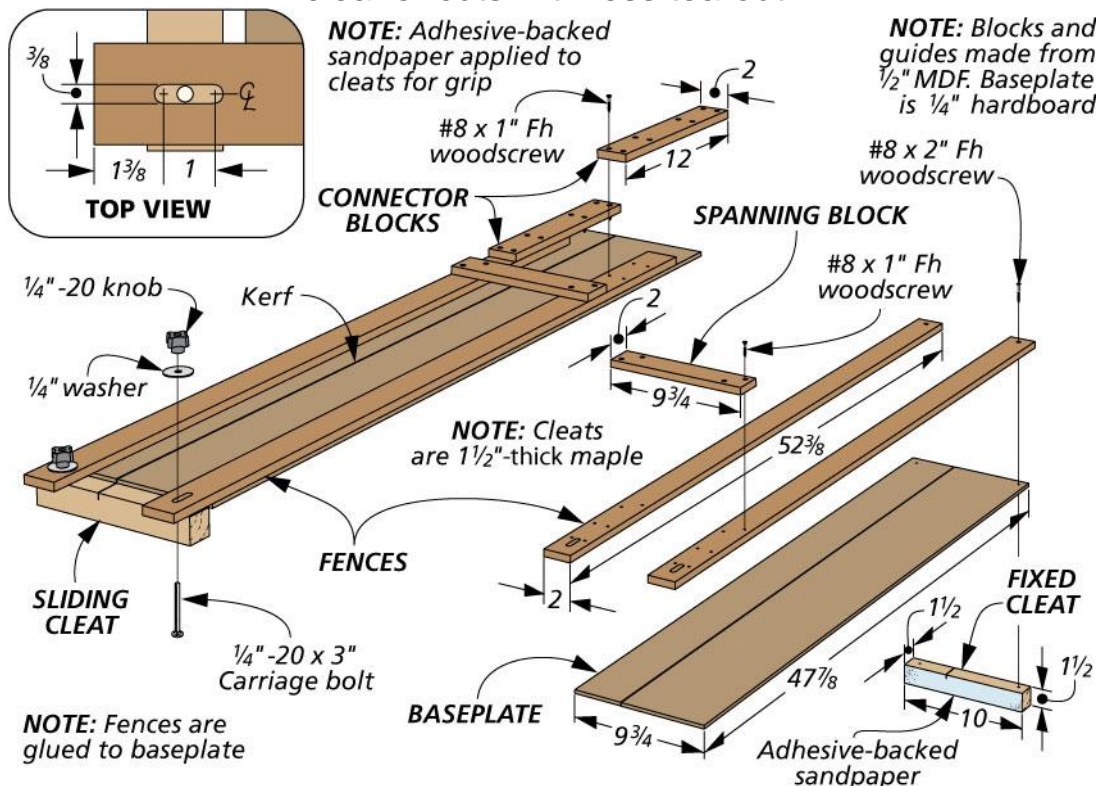
Two-Piece Saw Guide

By: Erich Lage

This simple Jig will aid your Circular Saw whether you're making long rips or crosscuts.



I got tired of trying to store the long [circular saw](#) guide that I use to break down sheet goods. So I came up with the guide you see above. There are a couple of great things about this saw guide. First, it breaks apart into two shorter sections. The shorter pieces are easier to store in the shop than a long guide. Second, the construction method makes it a “zero clearance” guide, so you’ll get much cleaner cuts with less tearout.



The guide consists of two hardboard baseplates that have fences along the edges. On one section, a hardwood cleat is attached through slots in the fences. The slots allow you to slide the cleat to the workpiece, and tighten it in place. The other section has a fixed cleat. A pair of removable spanning blocks keeps the halves connected when the cleats are removed. To connect the sections, first remove the spanning blocks that hold the track sides together. Next, screw the connector blocks in place. Then, it's a simple matter of tightening the cleats on your workpiece



A few screws through the connector blocks are all that's needed to attach the two sections of track. Remove the spanning blocks before use.



The combination of a fixed and movable cleat allows the guide to be attached to full or half sheets of material without clamps.